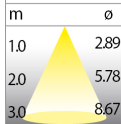
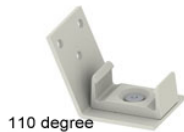




Flood	
88°/111°	
m	ø
1.0	2.89
2.0	5.78
3.0	8.67



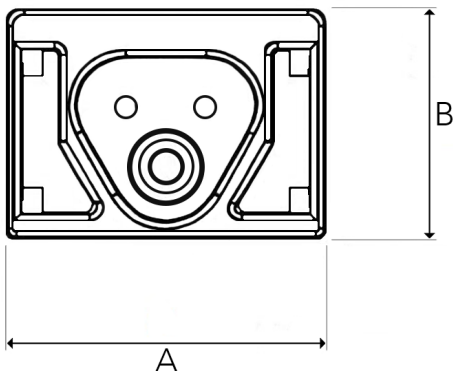

Light gap



110 degree



132 degree



A 20 B 14,5 (mm)

Vector 1600lm/m

Technical specification

LED linear light with separate electronic gear. Housing of extruded aluminum for optimal cooling and low weight. NL Power electronic gear for optimal life time, light flow and colour performance. High performance energy efficient LEDs. Possible to serial connect up to 4m Vector LED light with same electronic gear.

Model and colors Available with diffuse cover and in different lengths.

Area of use Light for indoor back lighting, shelf lighting and other applications.

Technical data

Mains (input) voltage	220-240 V
LED driver output	Constant voltage 28V
Total weight	0,41kg/m
Form of protection	IP 20, class III
Light source	LED
Operating position	Universal
Start time	Instant
Driver	Separate
Safety glass	Included
Beam spreads	Flood
Design lifetime	L80 B10 50 000h

Art no	Description	Color
231-130-003	Vector 1600lm/m 500mm	Grey
231-132-003	Vector 1600lm/m 750mm	Grey
231-133-003	Vector 1600lm/m 900mm	Grey
231-134-003	Vector 1600lm/m 1000mm	Grey
231-135-003	Vector 1600lm/m 1125mm	Grey
231-136-003	Vector 1600lm/m 1250mm	Grey
231-137-003	Vector 1600lm/m 1500mm	Grey
121-520	NLP LED 60E-230V w. Halogen free EU cable	Grey
314-105-001	Cable set, secondary side, 2m	White
314-105-002	Cable set, secondary side, 4m	White
123-74	Cable set, serial connection, 150mm	White
123-75	Cable set, serial connection, 600mm	White
314-108-001	Splitter, 6 outlets	Black
123-78-10	Mounting clip bracket	White
123-190-10	Tilt bracket 110 degree	White
123-191-10	Lightgap bracket	White
123-192-10	Tilt bracket 132 degree	White
123-54	End Cover (included)	White
950-01-114	Magnetic strip	-

Type	Delivered lumen output (lm)	Power (W)	EEI ³
830	1570lm/m	14W/m	A++
835	1720lm/m	14W/m	A++
840	1750lm/m	14W/m	A++

Note

The above article number applies to 830.

Product available in other Kelvin temperatures on request. Special versions can also be produced depending on quantity. Final shipping destination may require minor modifications of components as well as article numbers, be sure to state the country in which the fixtures will be used.