

Grid LED 2000 for functional ceiling

Technical specification

Linear down light for LED tubes. Reflector with flood beam spread. Housing of powder painted sheet metal.

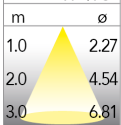
Model and colors Available in white.

Area of use LED light for indoor functional ceiling. Suitable for general lighting.

Technical data

Mains (input) voltage	220-240 V
Total weight	4,6 kg
Form of protection	IP 20, class I
Light source	LED
Operating position	Vertical
Lamp holder	NLAB Standard
Start time	Instant
Driver	Built in
Reflector	High quality anodized reflector
Beam spreads	Flood
Design lifetime	L80 B10 50 000h

Flood	
97°/76°	
m	∅
1.0	2.27
2.0	4.54
3.0	6.81

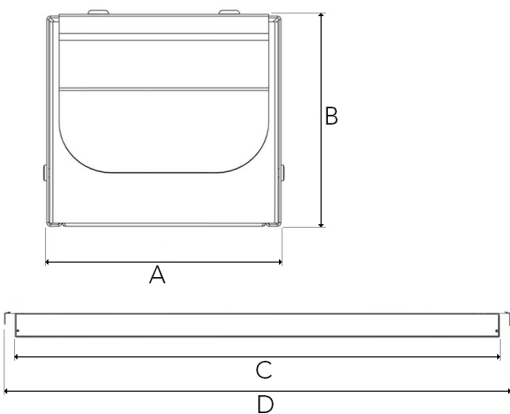


Art no	Description	Color
204-529	GRID LED for functional ceiling 1900mm, 830	White
204-530	GRID LED for functional ceiling 1900mm, 835	White
204-531	GRID LED for functional ceiling 1900mm, 840	White

Type	Delivered lumen output (lm)	System power (W)	EEI ³
830	1970	17	A++
835	1900	17	A++
840	1900	17	A++

Note

Product also available in higher power levels. Final shipping destination may require minor modifications of components as well as article numbers, be sure to state the country in which the fixtures will be used.



A 89,5 B 80,5 C 1892 D 1900 (mm)