



## Globe COB 3000

### Technical specification

Pendant with incorporated electronic gear for LED lamps. High quality lenses with different beam spreads.

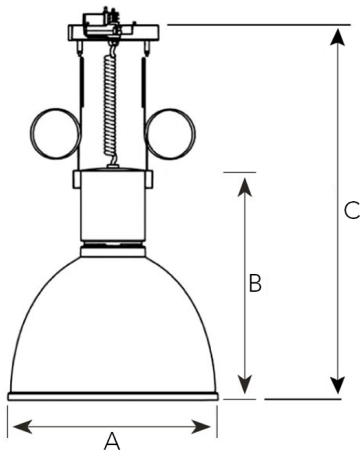
**Model and colors** Lampshade available in brushed aluminium. Mounting for monopoint or track. Cable always in black. Extendable cable 6m.

**Area of use** Pendant for indoor applications.

### Technical data

Mains (input) voltage	220-240 V
Total weight	4,43 kg
Form of protection	IP 20, class I
Light source	LED
Operating position	Vertical
Start time	Instant
Driver	Built in
Optics	Transparent Polycarbonate
Beam spreads	Spot, Medium, Flood

Spot		Medium		Flood	
17°		23°		38°	
m	ø	m	ø	m	ø
1.0	0.30	1.0	0.41	1.0	0.70
2.0	0.60	2.0	0.83	2.0	1.39
3.0	0.91	3.0	1.24	3.0	2.09



A 424 B 480 C 600 (mm)

Art no	Description	Color
221-530-20	Globe COB, Spot	Black
221-530-32	Globe COB, Spot	Dark Grey
221-531-20	Globe COB, Medium	Black
221-531-32	Globe COB, Medium	Dark Grey
221-532-20	Globe COB, Flood	Black
221-532-32	Globe COB, Flood	Dark Grey
054-70-10	Monopoint with Bracket	White
054-70-20	Monopoint with Bracket	Black
054-70-30	Monopoint with Bracket	Grey
054-71-10	Track bracket	White
054-71-20	Track bracket	Black

Type	Delivered lumen output (lm)	System power (W)	EEI <sup>3</sup>
930	2700	25	A+
940	2700	25	A+
840	2800	23	A++

### Note

The above article numbers applies to 930.

Product available with DALI option on request. Final shipping destination may require minor modifications of components as well as article numbers, be sure to state the country in which the fixtures will be used. Special versions can also be produced depending on quantity. North American versions also available.